

# KOMATSU

## WA470-6

**WA**  
**470**

#### HORSEPOWER

Gross: 204 kW 273 HP / 2000 min<sup>-1</sup>

Net: 203 kW 272 HP / 2000 min<sup>-1</sup>

#### OPERATING WEIGHT

23180 – 24970 kg

#### BUCKET CAPACITY

3.6 – 5.2 m<sup>3</sup>



Photos may include optional equipment.

# **WALK-AROUND**





WA470-6

<b>HORSEPOWER</b>	Gross: 204 kW 273 HP / 2000 min <sup>-1</sup>
	Net: 203 kW 272 HP / 2000 min <sup>-1</sup>
<b>OPERATING WEIGHT</b>	23180 – 24970 kg
<b>BUCKET CAPACITY</b>	3.6 – 5.2 m <sup>3</sup>

### HIGH PRODUCTIVITY & LOW FUEL CONSUMPTION

- Variable Displacement Piston Pump & Closed-center Load Sensing System (CLSS)
- High Performance Komatsu SAA6D125E-5 Engine
- Low Fuel Consumption
- Dual-mode Engine Power Select System
- Large-capacity Torque Converter
- Automatic Transmission with Mode Select System
- Lock-up Torque Converter (Optional)

### INCREASED RELIABILITY

- Komatsu Components
- High-rigidity Frames
- Wet Multiple-disc Brakes and Fully Hydraulic Braking System
- Hydraulic Hoses Use Flat Face O-ring Seals
- Sealed Connectors
- Cation Electrodeposition Primer Paint/ Powder Coating Paint

### EASY MAINTENANCE

- Gull-wing Type Engine Side Doors Open Wide
- Equipment Management Monitoring System
- Easy Radiator Cleaning with Reversible Fan
- Automatic Reversible Fan (Optional)

### EXCELLENT OPERATOR ENVIRONMENT

- Pillar-less Large Cab
- Low-noise Design
- Electrically Controlled Transmission Lever
- Automatic Transmission with Electronically Controlled Modulation Valve
- Variable Transmission Cut-off System
- Fingertip Control Levers

### SAFETY

- ROPS/FOPS Cab (ISO 3471/ISO 3449)
- Rear-hinged Full Open Cab Door

### KOMTRAX

- KOMTRAX

# HIGH PRODUCTIVITY & LOW FUEL CONSUMPTION

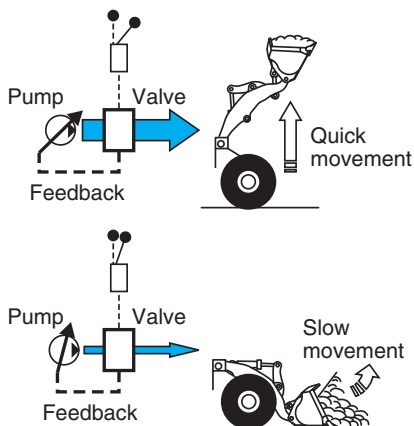


## Variable Displacement Piston Pump & Closed-center Load Sensing System (CLSS)

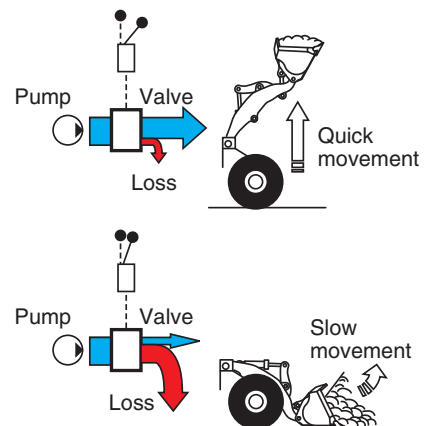
New design variable displacement piston pump combined with the Closed-center load sensing system delivers hydraulic flow just as the job requires preventing wasted hydraulic pressure. Minimized waste loss contributes to better fuel economy.



- **New variable displacement piston pump:**  
The pump delivers only necessary amounts minimizing waste loss.



- **Fixed displacement piston pump:**  
The pump delivers the maximum amount at any time and the unused flow is disposed.



## Faster Travel & Lower Fuel Consumption

- **High performance SAA6D125E-5 engine**

Electronic Heavy Duty Common Rail fuel injection system provides optimum combustion of fuel.

This system also provides fast throttle response to match the machine's powerful tractive effort and fast hydraulic response.

203 kW 272 HP (Net)

- **Low emission engine**

This engine is U.S. EPA Tier 3 and EU Stage 3A emissions certified, without sacrificing power or machine productivity.

- **Low fuel consumption**

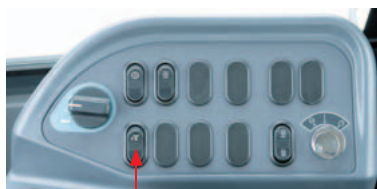
The fuel consumption is reduced greatly because of the low-noise, high-torque engine and the large-capacity torque converter with maximum efficiency in the low-speed range.

- **Dual-mode engine power select system**

This wheel loader offers two selectable operating modes—E and P. The operator can adjust the machine's performance with the selection switch.

- **E Mode:** This mode provides maximum fuel efficiency for general loading.

- **P Mode:** This mode provides maximum power output for hard digging operation or hill climb.



Dual mode engine power selection switch

- **ECO indicator**

The ECO indicator will help an operator to promote energy saving.



ECO indicator

- **Large-capacity torque converter**

Newly designed drive train has a large-capacity torque converter for optimal efficiency. The WA470-6 has plenty of acceleration without the need for full throttle and it can achieve high travel speeds, even on grades or steep ramps leading to feed hoppers. This significantly assists productivity and also delivers great value for load-and-carry operations.

- **Automatic transmission with mode select system**

This operator controlled system allows the operator to select manual shifting or two levels of automatic shifting (low, and high). Auto L mode is for fuel saving operation with the gear shift timing set at lower speeds than Auto H mode.

Therefore Auto L mode keeps the engine in a relatively low rpm range for fuel conservation while yielding adequate tractive force by depressing the accelerator pedal.



Shift mode selection switch

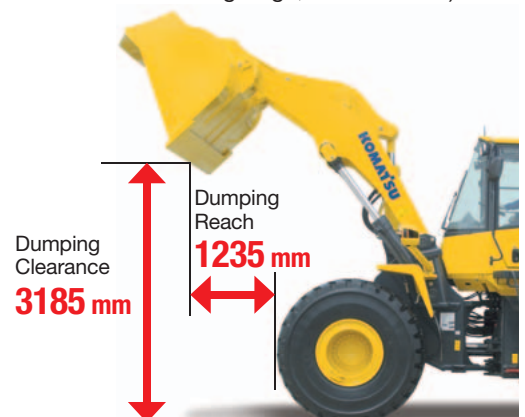
- **Lock-up torque converter (Optional)**

The Komatsu designed lock-up torque converter provides increased production efficiency, reduced cycle times and optimum fuel savings in load & carry or hill-climb operations. The operator can engage the system from 2nd to 4th gear. This optional feature allows the operator to activate the system on/off with a switch located on the right-side control panel.

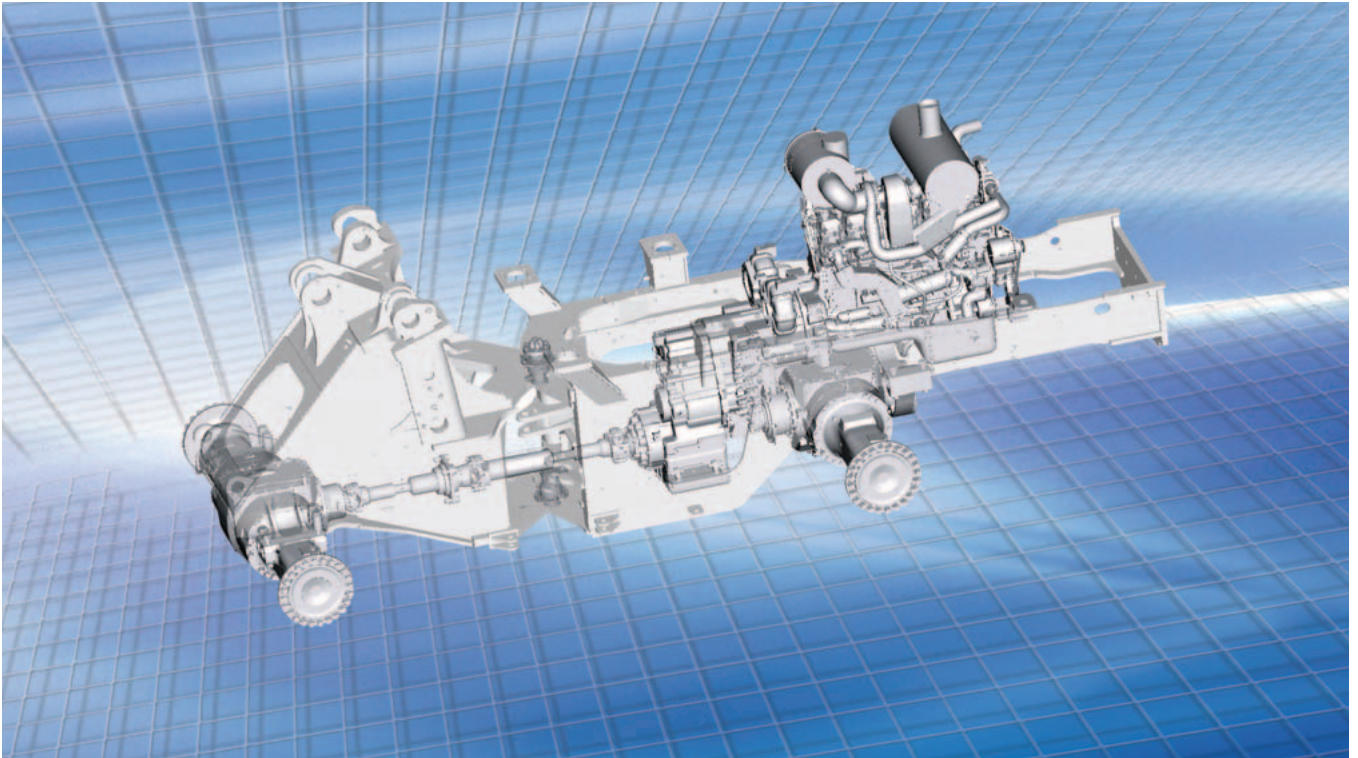
## Maximum Dumping Clearance and Reach

The long lift arms provide high dumping clearances and maximum dumping reach. The operator can even level loads on the body of a dump truck easily and efficiently.

(4.2 m<sup>3</sup> bucket with Bolt on Cutting Edge, 26.5R25 tires)



# INCREASED RELIABILITY



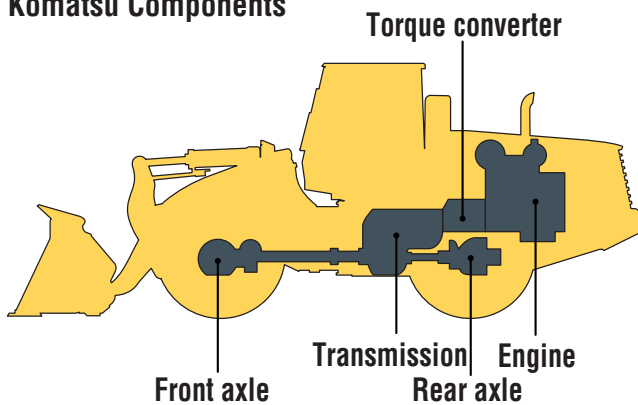
## Komatsu Components

Komatsu manufactures the engine, torque converter, transmission, hydraulic units, electric parts, on this wheel loader. Komatsu loaders are manufactured with an integrated production system under a strict quality control system.

## High-rigidity Frames and Loader Linkage

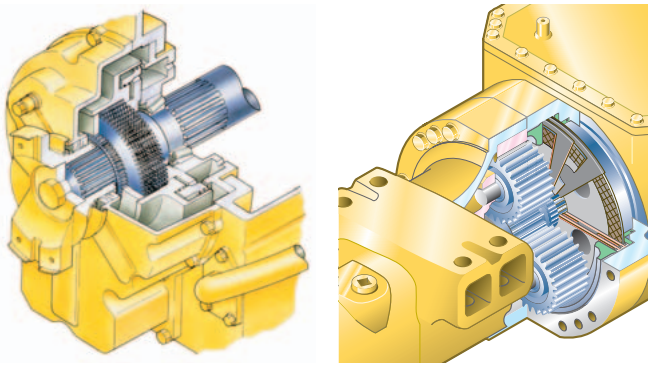
The front and rear frames and the loader linkage have more torsional rigidity to secure resistance against increased stress due to the use of a larger bucket. Frame and loader linkage are designed to accommodate actual working loads, and simulated computer testing proves its strength.

## Komatsu Components



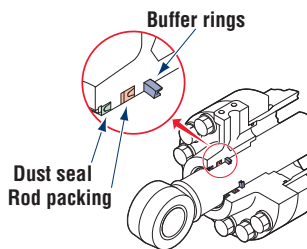
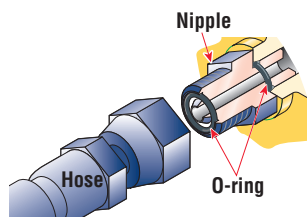
### Wet Multiple-disc Brakes and Fully Hydraulic Braking System

This means lower maintenance costs and higher reliability. Wet multiple-disc brakes are fully sealed. Contaminants are kept out, reducing wear and maintenance. Brakes require no adjustments for wear, meaning even lower maintenance. The new parking brake is also an adjustment-free, wet multiple-disc for high reliability and long life. Added reliability is designed into the braking system by the use of two independent hydraulic circuits. Provides hydraulic backup should one of the circuits fail. Fully hydraulic brakes mean no air system to bleed, or the condensation of water in the system that can lead to contamination, corrosion, and freezing.



### Reliable Hydraulic Line

- Flat face-to-face o-ring seals**  
 Flat face-to-face O-ring seals are used to securely seal hydraulic hose connections and to prevent oil leakage.
- Buffer rings**  
 In addition, buffer rings are installed to the head side of the all-hydraulic cylinders to lower the load on the rod seals and maximize the reliability.



### Sealed Connectors

Main harnesses and controller connectors are equipped with sealed connectors providing high reliability, water resistance and dust resistance.



### Cation Electrodeposition Primer Paint/ Powder Coating Final Paint

Cation electrodeposition paint is applied as a primer paint and powder coating is applied as topcoat to the exterior sheet metal parts. This process results in a beautiful rust-free machine, even in the most severe environments. Some external parts are made of plastic providing long life and high impact resistance.

### Bucket Side Guard (Optional)

In addition to the conventional side guard of plate type (for loading products), the bolt-on side guard made of cast steel can be installed optionally. Since it is so designed that the material can flow smoothly on it, it does not increase the digging resistance.



# EASY MAINTENANCE



Gull-wing side doors upper stop position

## Gull-wing Type Engine Side Doors Open Wide

The operator can open and close each gull-wing type engine side door easily with the assistance of a gas spring to perform daily service checks from the ground.



Gull-wing side doors upper stop position

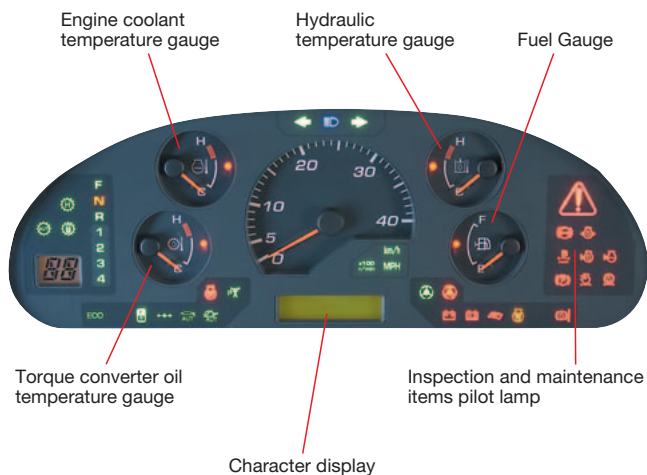


## Equipment Management Monitoring System

Monitor is mounted in front of the operator allowing the operator to easily check gauges and warning lights. A specially designed two-spoke steering wheel allows the operator to easily see the instrument panel.

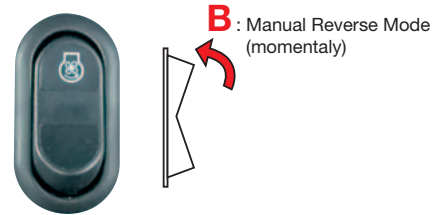
### Maintenance Control and Troubleshooting Functions

- **Action code display function.** If the loader has any troubles, the monitor displays action details on the character display at the center bottom of the monitor.
- **Monitor function.** Controller monitors engine oil level, pressure, coolant temperature, air cleaner clogging etc. If controller finds abnormalities, all of these are displayed on LCD.
- **Replacement time notice function.** Monitor informs replacement time of oil and filters on LCD when it reaches replacement intervals.
- **Trouble data memory function.** Monitor stores abnormalities for effective troubleshooting.



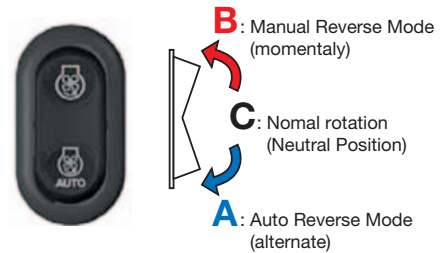
## Easy Radiator Cleaning

If the machine is operating in adverse conditions, the operator can reverse the hydraulic cooling fan from inside the cab by pressing a switch on the control panel.



### Automatic reversible fan (Optional)

The engine fan is driven hydraulically and can be operated in reverse automatically. When the switch is in the automatic position, the fan revolves in reverse for 2 minutes every 2 hours intermittently (default setting).



# EXCELLENT OPERATOR ENVIRONMENT



## Pillar-less Large Cab

A wide pillar-less flat glass provides excellent front visibility. The wiper arm covers a large area to provide great visibility even on rainy days. The cab area is the largest in its class providing maximum space for the operator. Increased seat slide adjustment to backward by introducing front mounted air conditioner unit.



## Low-noise Design

Noise at operator's ear noise level (ISO 6396:2008): 72 dB(A)  
Dynamic noise level (outside) (ISO 6395:2008): 112 dB(A)  
The large cab is mounted with Komatsu's unique ROPS/FOPS (ISO 3471/ISO 3449) viscous mounts. The low-noise engine, hydraulically driven fan, and hydraulic pumps are mounted with rubber cushions, and the cab sealing is improved to provide a quiet, low-vibration, dustproof with pressurizing, and comfortable operating environment. Also, exterior noise is lowest in this class.



## Telescopic/Tilt Steering Column

The operator can tilt and telescope the steering column to provide a comfortable working position.



- ① Tilt adjustment
- ② Telescopic adjustment

## Electrically Controlled Transmission Lever

Easy shifting and directional changes with Komatsu two-lever electronic shifting. Change direction or shift gears with a touch of the fingers without removing the shifting hand from the steering wheel. Solid state electronics and conveniently located direction and gear shift controls make this possible. Automatic shifts in ranges two through four keep production high and manual shifting at a minimum.



- ① Directional lever
- ② Gear shift lever

### Automatic Transmission with Electronically Controlled Modulation Valve

Automatic transmission with Electronically Controlled Modulation Valve automatically selects the proper gear speed based on travel speed, engine speed, and other travel conditions. The Electronically Controlled Modulation Valve system engages the clutch smoothly to prevent lags and shocks when shifting. This system provides efficient machine operation and a comfortable ride.

#### • Kick-down switch

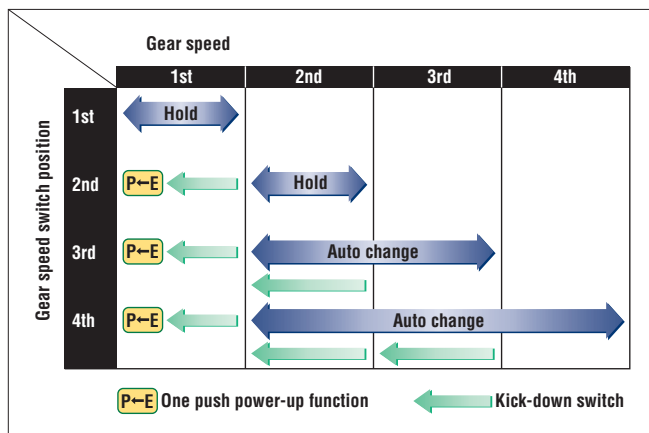
Consider this valuable feature for added productivity. With the touch of a finger, the kick-down switch automatically downshifts from second to first when beginning the digging cycle. It automatically upshifts from first to second when the direction control lever is placed in reverse. This results in increased rim pull for better bucket penetration and reduced cycle times for higher productivity.

#### • One push power-up function

The kick-down switch also functions as a power-up switch in first gear. The first time the kick-down switch is depressed it functions as a kick-down switch and gear speed is reduced. When the machine is in E operation mode and first gear, pressing the kick-down switch a second time changes the operation mode to P allowing increased power for heavy digging operation. The operation mode returns to E when machine gear speed changes or direction changes to reverse.

#### • Hold switch

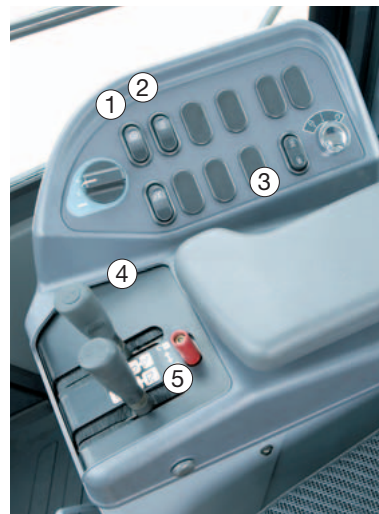
Auto shift is selected and if the operator turns on this switch when the lever is at the 3rd or 4th gear speed position, the transmission is fixed to that gear speed.



### Variable Transmission Cut-off System

The operator can continuously adjust the transmission cut-off pressure desired for the left brake pedal using switch located on the right-side control panel. The operator can improve the working performance by setting the cut-off pressure properly depending on working condition.

- High cut-off pressure for digging operations.
- Low cut-off pressure for truck-loading operations.



- 1: Cut-off ON/OFF switch
- 2: Cut-off adjustment switch
- 3: Fan reverse ON/OFF switch
- 4: Boom control
- 5: Bucket control

### Fingertip Work Equipment Control Levers with Large Size Arm Rest

New Pressure Proportional Control (PPC) control levers are used for the work equipment. The operator can easily operate the work equipment with fingertip control, reducing operator fatigue and increasing controllability. The PPC control lever column can be slid forward or rearward and the large size arm rest can be adjusted up or down to provide the operator with a variety of comfortable operating positions.





## ROPS/FOPS Cab

The ROPS/FOPS Cab is standard for operator's safety. A wide pillar-less flat glass provides excellent front visibility, and a heated rear window provides excellent rear visibility in cold and freezing weather conditions.

ROPS (ISO 3471) : Roll-over Protective Structure

FOPS (ISO 3449) : Falling Objects Protective Structure



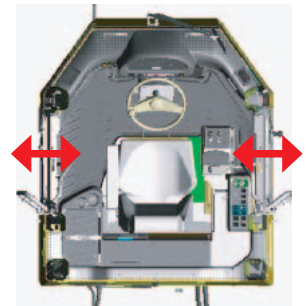
## Rear-hinged Full Open Cab Door

The cab door hinges are installed to the rear side of the cab providing a large opening angle for the operator to enter and exit. The steps are designed like a staircase, so that the operator can get on and off the cab easily.



## Left or Right Side Cab Entry

The operator can get on and off the machine from either side of the vehicle. This design is convenient when getting on and off in a narrow jobsite or on uneven ground.



## Safety Features

### • Secondary steering (Optional)

If the steering pump is disabled, a secondary steering pump provides hydraulic flow.

### • Two independent lines brake system

Added reliability is designed into the braking system by the use of two independent hydraulic circuits, providing hydraulic backup should one of the circuits fail.

### • Battery disconnect switch (Optional)

The battery disconnect switch is located in the right side battery box. This can be used to disconnect power when performing service work on the machine.

# KOMTRAX

*The Komatsu remote monitoring and management technology provides insightful data about your equipment and fleet in user-friendly format.*

## Energy Saving Operation Report

KOMTRAX delivers the energy-saving operation report based on the operating information such as fuel consumption, load summary and idling time, which helps you efficiently run a business.



This report image is an example of hydraulic excavator

## Equipment Management Support

Through the web application, a variety of search parameters are available to quickly find information about specific machines based on key factors. Moreover, KOMTRAX finds out machines with problems from your fleet and shows you through an optimal interface.



Location

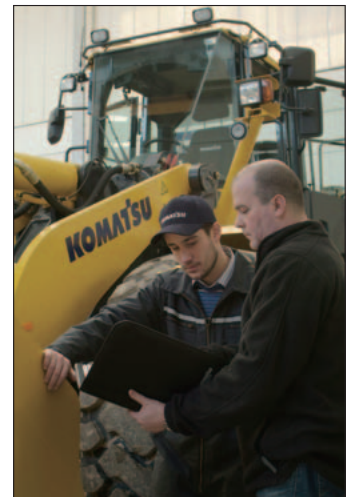
Working status

Periodic maintenance

The report contents and data depend on the machine model.

## Optimal Strategy for Efficient Work

The detailed information that KOMTRAX puts at your fingertips helps you manage your fleet conveniently on the web anytime, anywhere. It gives you the power to make better daily and long-term strategic decisions.



# SPECIFICATIONS



## ENGINE

Model ..... Komatsu SAA6D125E-5  
Type ..... Water-cooled, 4-cycle  
Aspiration ..... Turbocharged, aftercooled, cooled EGR  
Number of cylinders ..... 6  
Bore x stroke ..... 125 mm x 150 mm  
Piston displacement ..... 11.04 L  
Governor ..... All-speed, electronic  
Horsepower  
SAE J1995 ..... Gross 204 kW 273 HP  
ISO 9249/SAE J1349\* ..... Net 203 kW 272 HP  
Rated rpm ..... 2000 min<sup>-1</sup>  
Fan drive method for radiator cooling ..... Hydraulic  
Fuel system ..... Direct injection  
Lubrication system:  
Method ..... Gear pump, force-lubrication  
Filter ..... Full-flow type  
Air cleaner ..... Dry type with double elements and  
dust evacuator, plus dust indicator  
\*Net horsepower at the maximum speed of radiator cooling fan is 191 kW.  
U.S. EPA Tier 3 and EU Stage 3A emissions certified.



## TRANSMISSION

Torque converter:  
Type ..... 3-element, 1-stage, 1-phase  
Transmission:  
Type ..... Full-powershift, countershaft type  
Travel speed: km/h  
Measured with 26.5R25 (L-3) tires

	1st	2nd	3rd	4th
Forward	7.6	13.1	22.9	36.2
Reverse	7.9	13.5	23.6	37.3



## AXLES AND FINAL DRIVES

Drive system ..... Four-wheel drive  
Front ..... Fixed, semi-floating  
Rear ..... Center-pin support, semi-floating,  
26° total oscillation  
Reduction gear ..... Spiral bevel gear  
Differential gear ..... Conventional type  
Final reduction gear ..... Planetary gear, single reduction



## BRAKES

Service brakes ..... Hydraulically actuated,  
wet multiple-disc brakes actuate on four wheels  
Parking brake ..... Wet multiple-disc brake  
Secondary brake ..... Parking brake is commonly used



## STEERING SYSTEM

Type ..... Articulated type, full-hydraulic power steering  
Steering angle ..... 35° each direction (40° end stop)  
Minimum turning radius at  
the center of outside tire ..... 6630 mm



## HYDRAULIC SYSTEM

Steering system:  
Hydraulic pump ..... Piston pump  
Capacity ..... 195 L/min at rated rpm  
Relief valve setting ..... 24.5 MPa 250 kgf/cm<sup>2</sup>  
Hydraulic cylinders:  
Type ..... Double-acting, piston type  
Number of cylinders ..... 2  
Bore x stroke ..... 90 mm x 441 mm  
Loader control:  
Hydraulic pump ..... Piston pump  
Capacity ..... 260 L/min at rated rpm  
Relief valve setting ..... 34.3 MPa 350 kgf/cm<sup>2</sup>  
Hydraulic cylinders:  
Type ..... Double-acting, piston type  
Number of cylinders—bore x stroke:  
Lift cylinder ..... 2- 140 mm x 764 mm  
Bucket cylinder ..... 1- 160 mm x 575 mm  
Control valve ..... 2-spool type  
Control positions:  
Boom ..... Raise, hold, lower, and float  
Bucket ..... Tilt-back, hold, and dump  
Hydraulic cycle time (rated load in bucket)  
Raise ..... 5.4 s  
Dump ..... 1.6 s  
Lower (Empty) ..... 3.7 s



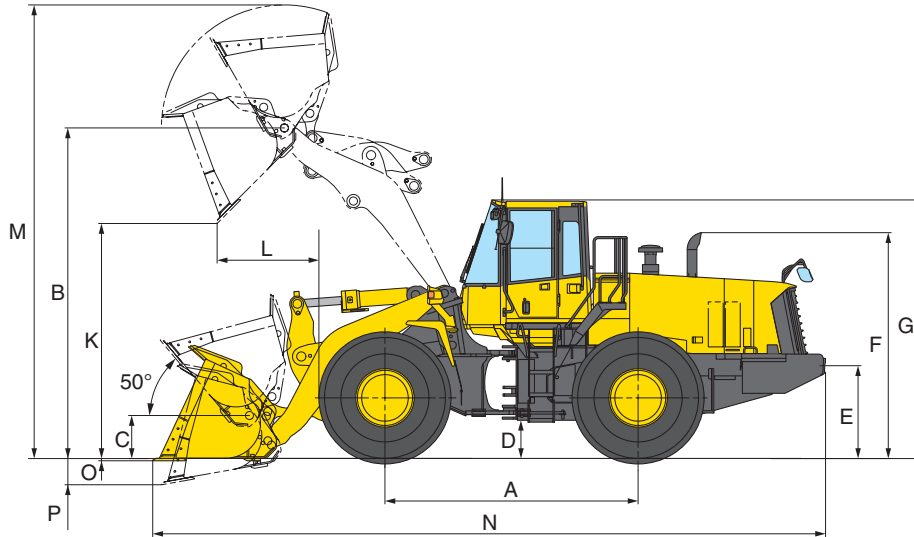
## SERVICE REFILL CAPACITIES

Cooling system ..... 61 L  
Fuel tank (Specified capacity) ..... 413 L  
Engine ..... 38 L  
Hydraulic system ..... 173 L  
Axle front ..... 60 L  
rear ..... 56 L  
Torque converter and transmission ..... 65 L

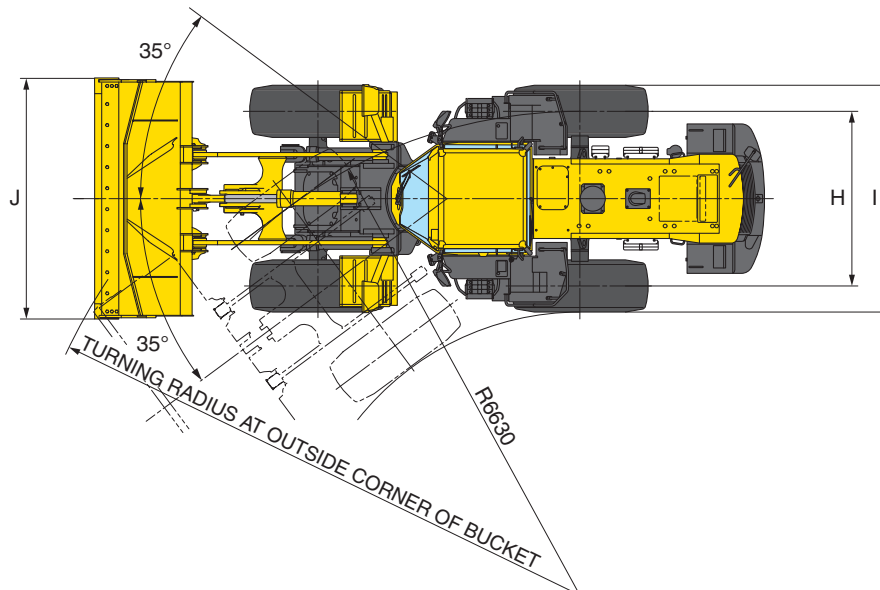


**DIMENSIONS**

Measured with 26.5R25 (L-3) tires



		Standard Boom	High Lift Boom
H	Tread	2300 mm	
I	Width over tires	3010 mm	
A	Wheelbase	3450 mm	
B	Hinge pin height, max. height	4360 mm	4870 mm
C	Hinge pin height, carry position	585 mm	730 mm
D	Ground clearance	525 mm	
E	Hitch height	1240 mm	
F	Overall height, top of the stack	3080 mm	
G	Overall height, ROPS cab	3500 mm	





## DIMENSIONS

Measured with 26.5R25 (L-3) tires

	Standard Boom	Stockpile Bucket			Excavating Bucket			Rock Bucket (Spade nose)	Loose Material Bucket		Light Material Bucket
		Bolt on Cutting edges	Teeth and Segments	Teeth	Bolt on Cutting edges	Teeth and Segments	Teeth	Teeth	Bolt on Cutting edges	Bolt on Cutting edges	Bolt on Cutting edges
Bucket capacity:	heaped ISO rated	4.2 m <sup>3</sup>	4.2 m <sup>3</sup>	3.9 m <sup>3</sup>	3.8 m <sup>3</sup>	3.8 m <sup>3</sup>	3.6 m <sup>3</sup>	3.6 m <sup>3</sup>	4.4 m <sup>3</sup>	4.65 m <sup>3</sup>	5.2 m <sup>3</sup>
	heaped 110% Fill factor	4.6 m <sup>3</sup>	4.6 m <sup>3</sup>	4.3 m <sup>3</sup>	4.2 m <sup>3</sup>	4.2 m <sup>3</sup>	4.0 m <sup>3</sup>	4.0 m <sup>3</sup>	4.8 m <sup>3</sup>	5.1 m <sup>3</sup>	5.7 m <sup>3</sup>
	struck	3.5 m <sup>3</sup>	3.5 m <sup>3</sup>	3.3 m <sup>3</sup>	3.2 m <sup>3</sup>	3.2 m <sup>3</sup>	3.1 m <sup>3</sup>	3.1 m <sup>3</sup>	3.9 m <sup>3</sup>	4.0 m <sup>3</sup>	4.5 m <sup>3</sup>
J	Bucket width	3170 mm	3190 mm	3190 mm	3170 mm	3190 mm	3190 mm	3170 mm	3170 mm	3170 mm	3170 mm
	Bucket weight	2050 kg	2100 kg	1970 kg	2150 kg	2200 kg	2070 kg	2165 kg	2100 kg	2170 kg	2185 kg
K	Dumping clearance, max. height and 45° dump angle*	3185 mm	3060 mm	3060 mm	3235 mm	3110 mm	3110 mm	2975 mm	3055 mm	3105 mm	3035 mm
L	Reach at max. height and 45° dump angle*	1235 mm	1335 mm	1335 mm	1185 mm	1285 mm	1285 mm	1435 mm	1365 mm	1315 mm	1385 mm
	Reach at 2130 mm dumping clearance and 45° dump angle	1935 mm	1975 mm	1975 mm	1905 mm	1950 mm	1950 mm	2035 mm	2010 mm	2060 mm	2020 mm
	Reach with arm horizontal and bucket level	2755 mm	2910 mm	2910 mm	2685 mm	2840 mm	2840 mm	3040 mm	2940 mm	2870 mm	2965 mm
M	Operating height (fully raised)	5960 mm	5960 mm	5960 mm	5875 mm	5875 mm	5875 mm	5875 mm	5960 mm	6040 mm	6185 mm
N	Overall length	8825 mm	8980 mm	8980 mm	8755 mm	8910 mm	8910 mm	9210 mm	9010 mm	8940 mm	9035 mm
	Loader clearance circle (35° diameter (bucket at carry, outside corner of bucket))	15280 mm	15380 mm	15380 mm	15240 mm	15340 mm	15340 mm	15280 mm	15370 mm	15340 mm	15380 mm
O	Digging depth:	0°	80 mm	100 mm	100 mm	80 mm	100 mm	100 mm	85 mm	80 mm	80 mm
		10°	315 mm	360 mm	360 mm	305 mm	350 mm	350 mm	370 mm	345 mm	350 mm
P	Static tipping load:	straight	18525 kg	18695 kg	18875 kg	18385 kg	18565 kg	18745 kg	18515 kg	18345 kg	18380 kg
		40° full turn	15920 kg	16095 kg	16275 kg	15785 kg	15965 kg	16145 kg	15915 kg	15745 kg	15780 kg
	Breakout force	192 kN	198 kN	207 kN	203 kN	209 kN	220 kN	190 kN	168 kN	176 kN	
	Operating weight	23265 kg	23310 kg	23180 kg	23415 kg	23455 kg	23325 kg	23410 kg	23460 kg	23420 kg	

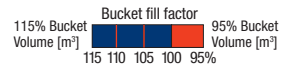
	High Lift Boom	Excavating Bucket		
		Bolt on Cutting edges	Teeth and Segments	Teeth
Bucket capacity:	heaped ISO rated	3.8 m <sup>3</sup>	3.8 m <sup>3</sup>	3.6 m <sup>3</sup>
	heaped 110% Fill factor	4.2 m <sup>3</sup>	4.2 m <sup>3</sup>	4.0 m <sup>3</sup>
	struck	3.2 m <sup>3</sup>	3.2 m <sup>3</sup>	3.1 m <sup>3</sup>
J	Bucket width	3170 mm	3190 mm	3190 mm
	Bucket weight	2150 kg	2200 kg	2070 kg
K	Dumping clearance, max. height and 45° dump angle*	3750 mm	3625 mm	3625 mm
L	Reach at max. height and 45° dump angle*	1330 mm	1430 mm	1430 mm
	Reach at 2130 mm dumping clearance and 45° dump angle	2410 mm	2455 mm	2455 mm
	Reach with arm horizontal and bucket level	2960 mm	3115 mm	3115 mm
M	Operating height (fully raised)	6415 mm	6415 mm	6415 mm
N	Overall length	9490 mm	9645 mm	9645 mm
	Loader clearance circle (35° diameter (bucket at carry, outside corner of bucket))	15780 mm	15880 mm	15880 mm
O	Digging depth:	0°	215 mm	235 mm
		10°	440 mm	485 mm
P	Static tipping load:	straight	16175 kg	16335 kg
		40° full turn	13710 kg	13870 kg
	Breakout force	186 kN	191 kN	
	Operating weight	24930 kg	24970 kg	

\* At the end of tooth or bolt on cutting edge (B.O.C.).  
All dimensions, weights, and performance values based on ISO 7131 and 7546 standards.  
Static tipping load and operating weight shown include lubricant, coolant, full fuel tank, ROPS cab, and operator. Machine stability and operating weight affected by counterweight, tire size, and other attachments.  
Apply the following weight changes to operating weight and static tipping load.



## BUCKET SELECTION GUIDE

The size and type of the bucket should be properly selected depending on the density of the material and the expected bucket fill factor. Depending on the conditions, Komatsu buckets may perform more than rated capacity thanks to powerful boom linkage, efficient bucket shape and high rim-pull.



Expected density and maximum possible fill factor for each material

Material	Potential Fill factor [%]	Material density : kg/m <sup>3</sup>			
		1200	1400	1600	1800
Earth/Clay	Up to 115			●	●
Sand /Gravel	Up to 115				●
Aggregate	Up to 110			●	
Rock	Up to 100			●	●

Standard Boom

Type of Bucket	Rated Bucket Volume	Material density : kg/m <sup>3</sup>			
		1200	1400	1600	1800
Light Material with B.O.C.	5.2 m <sup>3</sup>	6.0 m <sup>3</sup>	4.9 m <sup>3</sup>		
Loose Material with B.O.C.	4.65 m <sup>3</sup>	5.3	4.4		
Loose Material with B.O.C.	4.4 m <sup>3</sup>	5.1	4.2		
Stockpile with B.O.C. / Teeth & Segments	4.2 m <sup>3</sup>	4.8	4.0		
Stockpile with Teeth	3.9 m <sup>3</sup>	4.5	3.7		
Excavating with B.O.C. / Teeth & Segments	3.8 m <sup>3</sup>	4.4	3.6		
Excavating with Teeth / Rock Bucket	3.6 m <sup>3</sup>	4.1	3.4		

High Lift Boom

Excavating with B.O.C. / Teeth & Segments	3.8 m <sup>3</sup>	4.4	3.6		
Excavating with Teeth	3.6 m <sup>3</sup>	4.1	3.4		





**BUCKETS & ATTACHMENTS**

■ **Buckets**

Type	Feature	Image
<b>Stockpile Bucket</b>	This bucket is used for loading stockpile products, such as crushed rock and construction materials.	
<b>Excavating Bucket</b>	This bucket is used for excavating and loading blasted rock on rock crushing job sites, or for excavating natural ground. It has a flat-blade, straight cutting edge, and provides superior rigidity and wear resistance.	
<b>Rock Bucket (Spade nose)</b>	This bucket is used for excavating and loading blasted rock on rock crushing job sites. It has a pointed cutting edge, and provides superior rigidity and wear resistance.	
<b>Loose/Light Material Bucket</b>	This bucket is used for loading materials with comparatively light specific gravity. It is based on the general purpose bucket, with a lengthened cutting edge and width to give increased capacity.	

■ **Cutting Edges and Teeth**

Type	Feature	Image	
<b>Cutting Edge Segment Edge</b>	This edge is made for use in loading loose sand and soil, or for loading stockpiled materials. It is bolted to the leading edge of general purpose buckets and may be detached and reversed. The cutting edges are manufactured from especially heat treated, high tension steel, and since they are reversible, both edges can be used. This effectively doubles their working life.		
<b>Teeth (Bolt on type)</b>	These teeth are suitable for loading or excavation of piles of earth or sand, blasted rock, and jobs in the field that involve digging into the side of slopes. The special heat treated, tensile strength steel alloy used in their production assures that they will wear and have a long service life.		
<b>Teeth (Tip type)</b>	These teeth tips which are attached to an adapter that is welded or bolted to the bucket edge. This means that an interchangeable part, the tooth tip, absorbs most of the wear and protects the actual bucket edge. They give excellent performance when used to handle blasted rock, piles of earth and similarly heavy duty tasks.		

■ **Grapples**

Type	Feature	Image
<b>Log Grapple</b>	This is a special log attachment for use with logs ranging from small-diameter short logs to large-diameter long logs. Its shape enables it to grip the log well with little rolling shock, and it is designed so that the center of gravity of the log is close to the machine body. This enables the machine to maintain its stability when loading and hauling.	



## WEIGHT / DIMENSIONS

Tires or attachments	Operating weight	Tipping load straight	Tipping load full turn	Width over tires	Ground clearance	Change in vertical dimensions
	kg	kg	kg	mm	mm	mm
26.5R25 (L-3)	0	0	0	3010	525	0
26.5-25-16PR (L-3)	-305	-225	-200	3010	525	0
26.5-25-20PR (L-3)	-240	180	-160	3010	525	0
26.5-25-20PR (L-5)	+520	+390	+340	3010	525	0
Install additional counterweight	+380	+905	+755			



## STANDARD EQUIPMENT

### ENGINE/POWER TRAIN

- Air cleaner with dust indicator
- Engine, Komatsu SAA6D125E-5 diesel
- Parking brake, electric
- Service brakes, wet disc type
- Transmission, 4 forward and 4 reverse

### ELECTRICAL SYSTEM

- Alternator, 24 V/50 A
- Back-up alarm
- Back-up lights
- Batteries, 2 x 12 V/136 Ah
- Directional signal
- Engine shut-off system, electric
- Front work lamps, LH and RH side
- Hazard lamps
- Rear work lamps, LH and RH side
- Starting motor, 24 V/7.5 kW
- Stop and tail lamps, and turn signal lamps

### HYDRAULIC SYSTEM

- 2-spool valve for boom and bucket controls
- Hydraulic-driven fan with reverse rotation
- Lift cylinders and bucket cylinder

### CAB

- Air conditioner
- Ashtray
- Automatic shift transmission with mode select system
- Cigarette lighter
- Cup holder
- Electronically controlled transmission lever
- Floor mat
- Front wiper (with washer and intermittent)
- Horn, electric
- Main monitor panel with Equipment Management Monitoring System
- Pillar cover
- PPC fingertip control, 2 levers
- Rear view mirror for cab
- Rear window washer and wiper
- ROPS/FOPS (ISO 3471/ISO 3449) cab
- Seat belt
- Seat, air suspension type with reclining
- Steering wheel, tiltable, telescopic
- Sun visor

### WORK EQUIPMENT

- Boom kick-out
- Bucket positioner
- Counterweight, standard
- Loader linkage with standard boom

### OTHER EQUIPMENT

- Coolant filter
- Front fenders
- Fuel pre-filter with water separator
- Handrails for platform
- Hard water area arrangement
- Hydraulic oil filter
- Radiator
- Radiator mask, lattice type
- Rear under view mirror
- Tires and rims
- Tool box



## OPTIONAL EQUIPMENT

### ENGINE/POWER TRAIN

- Brake cooling system
- Engine pre-cleaner
- Limited slip differential (F&R)
- Lock-up clutch torque converter
- Secondary steering (ISO 5010)

### ELECTRICAL SYSTEM

- Alternator, 24 V/75 A
- Batteries, large capacity, 2 x 12 V/140 Ah
- Batteries, Maintenance free, 2 x 12 V/136 Ah
- Battery disconnect switch
- Beacon guard
- Rotating light
- Starting motor, 24 V/11 kW

### HYDRAULIC SYSTEM

- 3-spool valve with lever and piping
- Bucket cylinder for fork attachment
- Bucket cylinder for high lift
- Hydraulic-driven fan with automatic reverse rotation

### CAB

- AM/FM radio
- DC12V electrical outlets
- FNR selector switch
- Joystick steering
- Load meter
- Multifunction mono-lever
- Rear view monitoring system
- Seat, deluxe suspension seat

### WORK EQUIPMENT

- Additional counterweight (380 kg)
- Bucket teeth (bolt on type)
- Bucket teeth (tip type)
- Counterweight for log
- Cutting edge (bolt on type)
- Guard, side edge
- High lift boom
- Log grapple
- Segmented edges
- Various bucket options

### OTHER EQUIPMENT

- Auto greasing system
- Compliant Bio diesel fuel
- Cool & heat box
- Electronically Controlled Suspension System
- Extra poor fuel pre-filter
- Fire extinguisher
- Fire proof net
- Filler cap lock & cover lock
- Large fuel pre-filter with water separator
- Ordinary spare parts
- Power train guard
- Rear full fenders
- Spec for sandy area
- Tool kit
- Various tire options, radial and bias
- Wheel stopper
- Wide fenders

**KOMATSU TOTAL SUPPORT****Komatsu Total Support**

To keep your machine available and minimize operation cost when you need it, Komatsu Distributor is ready to provide a variety of supports before and after procuring the machine.

**Fleet recommendation**

Komatsu Distributor can study the customer's job site and provide the most optimum fleet recommendation with detailed information to meet all of your application needs when you are considering to buy new machines or replace the existing ones from Komatsu.

**Product support**

Komatsu Distributor gives the proactive support and secures the quality of the machinery that will be delivered.

**Parts availability**

Komatsu Distributor is available for emergency inquiry by the customers for genuine, quality guaranteed Komatsu parts.

**Technical support**

Komatsu product support service (Technical support) is designed to help customer. Komatsu Distributor offers a variety of effective services to show how much Komatsu is dedicated to the maintenance and support of Komatsu machine.

- Preventive Maintenance (PM) clinic
- Oil & Wear analysis program

**Repair & maintenance service**

Komatsu Distributor offers quality repair and maintenance service to the customer, utilizing and promoting Komatsu developed programs.

**Komatsu Reman (Remanufactured) components**

Komatsu Reman products are the result of the implementation of the Komatsu global policy which establishes and agrees to reduce the owning, operating and total Life Cycle Costs (LCC) to Komatsu's customer through high quality, prompt delivery and competitively priced in own remanufactured products (QDC).



Up to 20% blended biodiesel fuel and paraffine fuel can be used. Please consult your Komatsu distributor for detail.

<https://www.komatsu.jp/en/>

Printed in Japan 202109 IP.SIN

The image shows the Komatsu logo, which consists of the word "KOMATSU" in a bold, blue, sans-serif font. The logo is positioned in the top-left corner of a large, empty rectangular box that occupies the lower half of the page.

CEN00133-08

Materials and specifications are subject to change without notice.  
**KOMATSU** is a trademark of Komatsu Ltd. Japan.